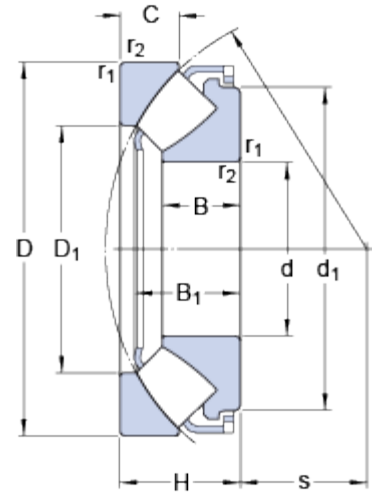


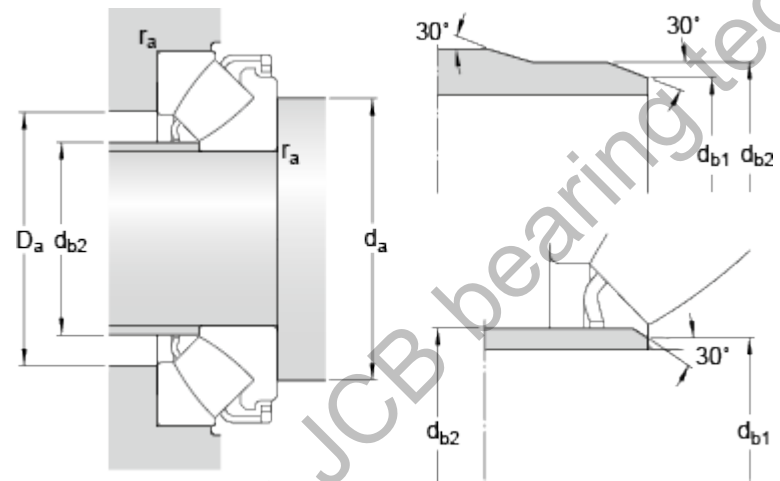
29422 E

Dimensions



d	110	mm
D	230	mm
H	73	mm
d_1	≈ 199	mm
D_1	≈ 156	mm
B	47	mm
B_1	64.7	mm
C	34.7	mm
s	69	mm
$r_{1,2}$	min. 3	mm

Abutment dimensions



d_a	min. 165	mm
d_{b1}	max. 120.5	mm
d_{b2}	max. 129	mm
D_a	max. 193	mm
r_a	max. 2.5	mm

Calculation data

Basic dynamic load rating	C	1180	kN
Basic static load rating	C_0	3000	kN
Fatigue load limit	P_u	325	kN
Reference speed		1600	r/min
Limiting speed		2800	r/min
Minimum axial load factor	A	0.86	

Mass

Mass bearing		13.5	kg
--------------	--	------	----